

**Industrial vacuum  
with single-phase drive  
type R01 A**  
Small but  
powerful



# Industrial vacuum with single-phase drive type R01 A

Viewing panel

Suction filter

GRP housin

Blower

Check valve

Manual deduster

Residual dust filter dust class H

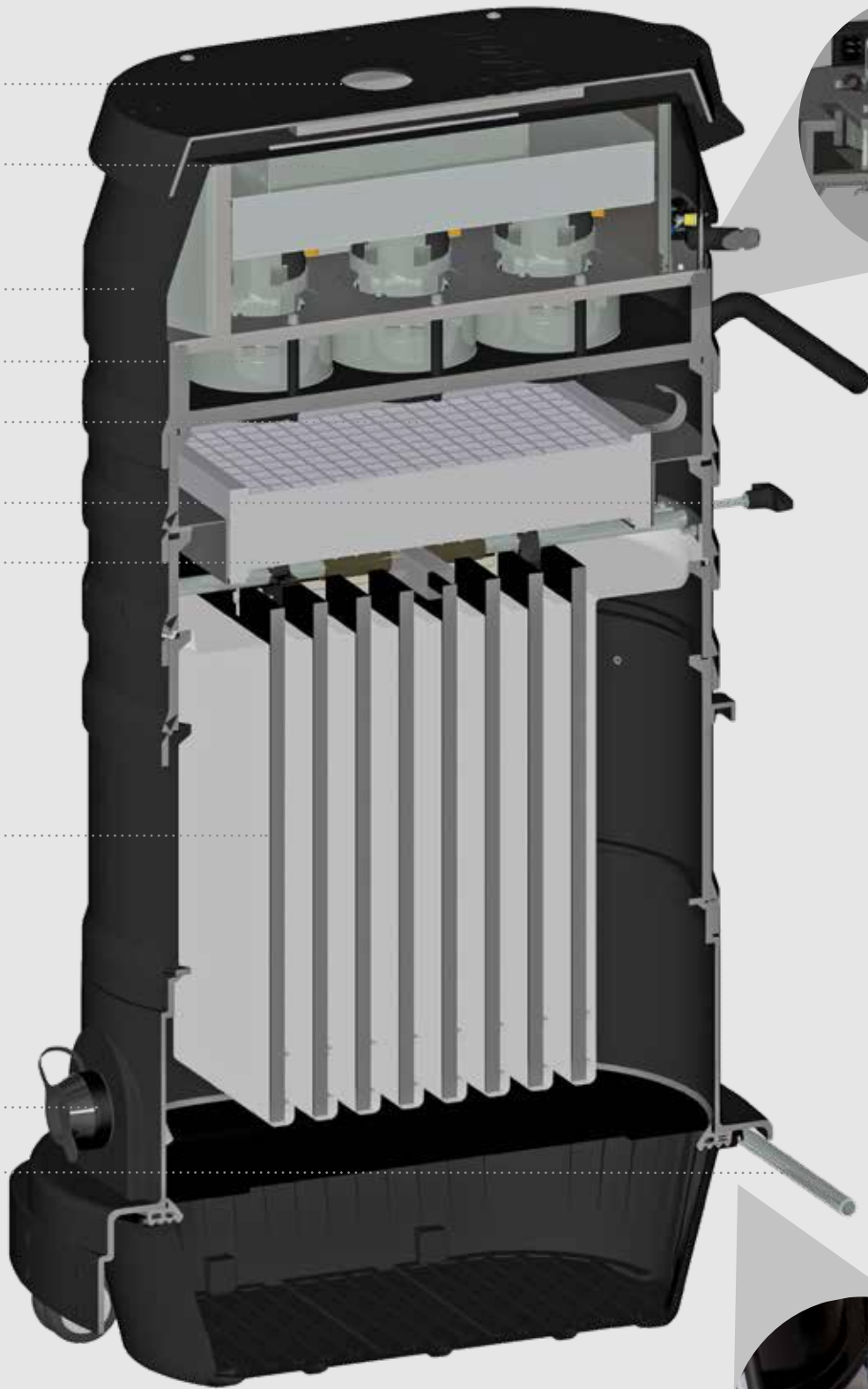
Bag filter for dust class L / M

Suction connection (sealable)

Foot bar emptying mechanism



Independent operation of individual blowers possible



Easy to handle thanks to RUWAC foot bar emptying mechanism



▶ view film

# Small but powerful

- Multiple variants thanks to modular system
  - GRP housing
  - Choice of disposal systems
- Versions for explosive dust areas
- Available with residual dust filter, dust class H
- Independent operation of individual blowers thanks to check valve

**R01 A024**  
for suctioning  
furnaces



**R01 A030**  
in woodworking



**R01 A030**  
in plastics  
processing



**R01 A036**  
in powder coating



**R01 A020**  
with pre-separator  
in cogeneration plant



**R01 A024**  
in large-scale bakery



# Technical data

	<b>R01 A</b>			
	<b>020 BA1</b>	<b>024 BA1</b>	<b>030 BA1</b>	<b>036 BA1</b>
Housing	GRP	GRP	GRP	GRP
Motor power (kW)	2.0	2.4	3.0	3.6
Voltage (V)	230	230	230	230
Vacuum (mbar)	-195	-210	-185	-210
Air flow rate (m³/h) (measured with 3 m hose)	270	290	430	460
Sound pressure level (dB(A)) (DIN EN ISO 3744)	64	67	69	72
Bag filter for dust class L, M (m²)	1.2/2.6	1.2/2.6	1.2/2.6	1.2/2.6
Cell filter for dust class L, M (m²)	1.0	1.0	1.0	1.0
Residual dust filter for dust class H (m²)	3.2	3.2	3.2	3.2
Height (mm) (Cell filter 1.0 m² for dust class L, M)	890	890	890	890
Height (mm) (Pocket filter 1.2 m² for dust class L, M)	890	890	890	890
Height (mm) (Pocket filter 2.6 m² for dust class L, M)	1,200	1,200	1,200	1,200
Height (mm) (Cell filter 1.0 m² for dust class H)	1,010	1,010	1,010	1,010
Height (mm) (Bag filter 1.2 m² for dust class H)	1,010	1,010	1,010	1,010
Height (mm) (Bag filter 2.6 m² for dust class H)	1,340	1,340	1,340	1,340
Width (mm)	520	520	520	520
Length (mm)	850	850	850	850
Protection class IP	x4	x4	x4	x4
Protection class IP (Zone 22)	54	54	54	54
Capacity (litres)	35	35	35	35
Suction connection (mm)	50	50	70	70

## Choice of disposal systems



**Ruwac**  
Industriesauger



**Ruwac**  
Industriesauger GmbH  
Westhoyeler Str. 25  
49328 Melle

+49 (0) 52 26 - 98 30-0  
www.ruwac.de  
ruwac@ruwac.de

Industrial vacuum cleaners are available in explosion-proof versions in accordance with ATEX 2014/34/EU.



2014/34/EU

DIN EN 60335-2-69, Ann. AA

14-1220-002-06.2021